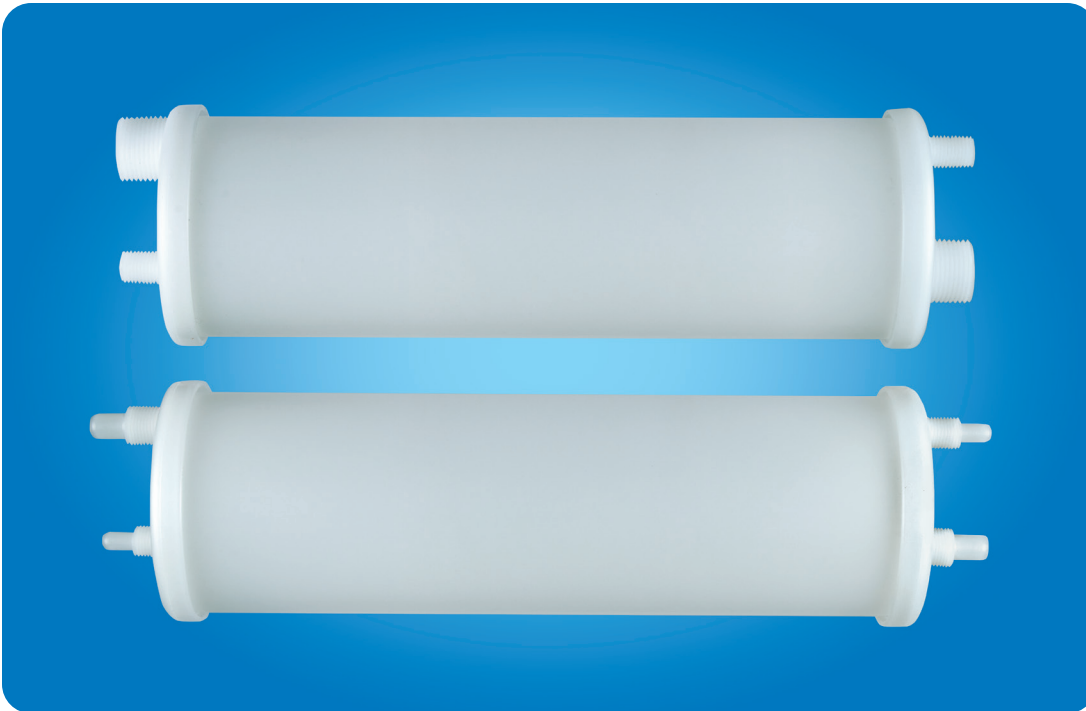


Flo-Thru Capsule

The Flo-Thru Capsule™ is a unique, disposable polypropylene filter capsule that seals and encapsulates 2-inch to 40-inch length industry standard filter cartridges. The Flo-Thru Capsule allows liquid to flow from one end of the capsule to the opposite end and is offered in two connection types with vent and drain options.



Flo-Thru Capsule

- Capsules fit 2-inch to 40-inch length industry-standard filter cartridges
- 100% FDA approved polypropylene components
- Proprietary thermal bonding process with no extractables
- Maximum operating pressure 60 psi @ 125° F
- Optional 1/4-inch vent/drain with caps
- Available in both Flaretek and NPT connections
- Seals and encapsulates either single open end (222) or double open end (knife edge) industry-standard filter cartridges
- Customized with your label and part number

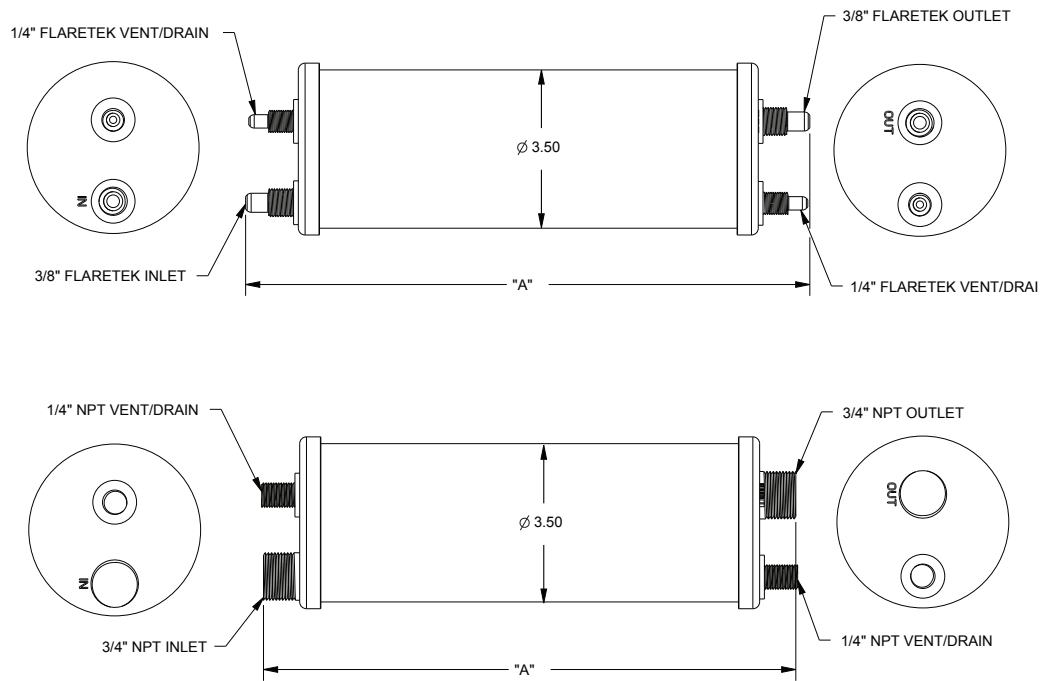


3/8 inch Flaretek inlet



3/4 inch NPT inlet

Specifications



Flo-Thru Capsule Length (Flaretek)

Capsule Part #	Length A DOE/SOE
FT-2	5.75"/6.5"
FT-4	7.75"/8.5"
FT-5	8.75"/9.5"
FT-10	13.75"/14.5"
FT-20	23.75"/24.5"
FT-30	33.75"/34.5"
FT-40	43.75"/44.5"

Flo-Thru Capsule Length (NPT)

Capsule Part #	Length A DOE/SOE
FT-2	5"/5.75"
FT-4	7"/7.75"
FT-5	8"/8.75"
FT-10	13"/13.75"
FT-20	23"/23.75"
FT-30	33"/33.75"
FT-40	43"/43.75"

NOTE: Listed length specifications are approximate and vary depending on the length of the filter cartridge supplied for encapsulation.

Ordering Information

How to order:

FT S C 2 N 3/4 OC

Flow Thru Capsule	Filter Cartridge Type	Capsule Color	Length	Connection Type	Connection Size	Vent/Drain
FT	S - Single Open End	C - Clear	2"	N - NPT	3/4"	OC - 1/4" vent/drain with cover nuts
	D - Double Open End	B - Black	4"	F - Flaretek	1/2"	O - 1/4" vent/drain open without cover nuts
			5"		3/8"	C - 1/4" vent/drain closed (not ported)
			10"		1/4"	R - 1/4" vent/drain removed
			20"			
			30"			
			40"			